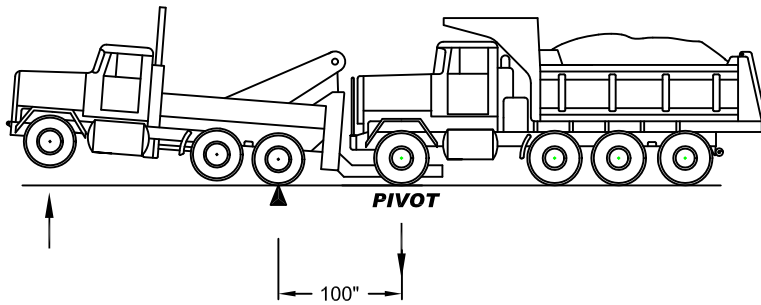
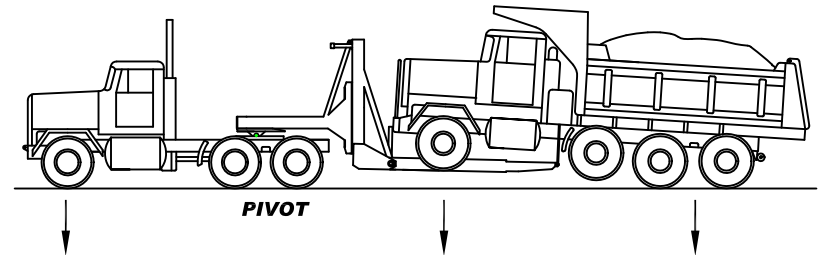


WEIGHT DISTRIBUTION

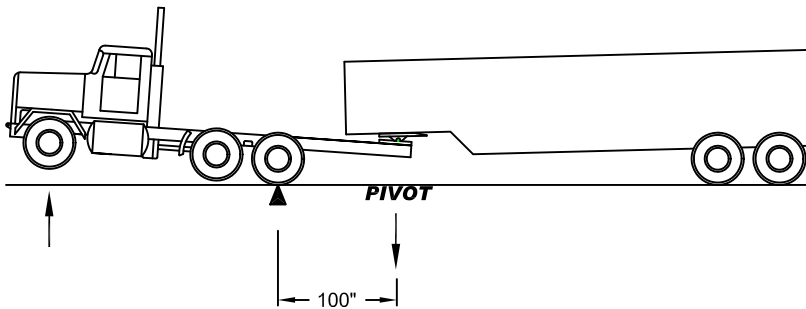
CONVENTIONAL TOW TRUCK AND UNDERLIFT



TRU-HITCH FWTD "FIFTH WHEEL TOWING DEVICE"



YOU WOULDN'T DO THIS!



SO WHY DO THIS! OTHER "SO-CALLED" FIFTH WHEEL DEVICES

