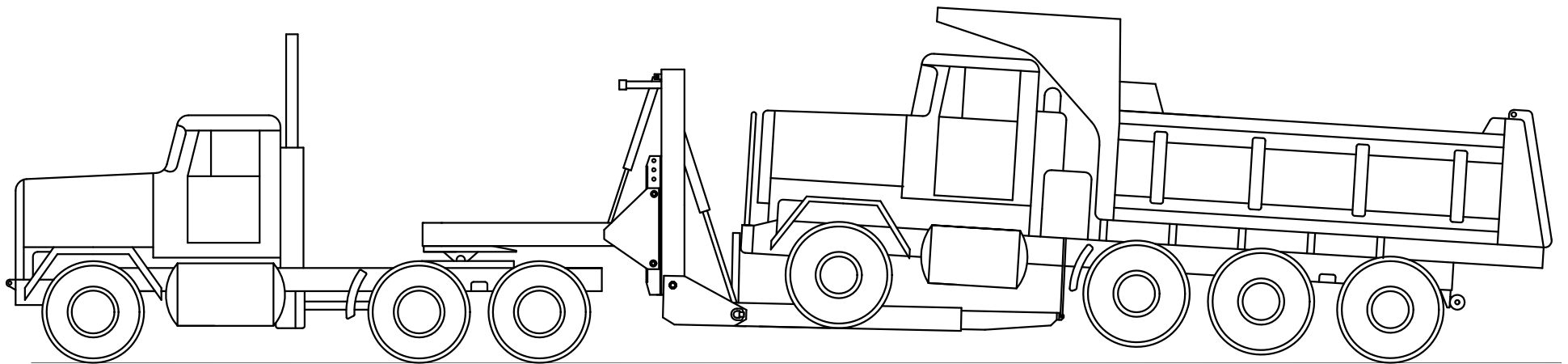


Tru Hitch®

Manufacturers of Patented Truck Trailering Lifts

16 W. West Hill Road * Barkhamsted, Ct. 06063 * 860-379-7772 * Fax 860-738-2777 * 1-800-450-8659

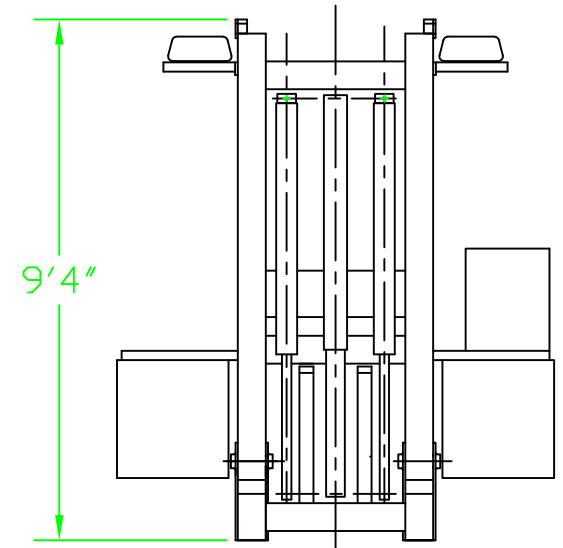
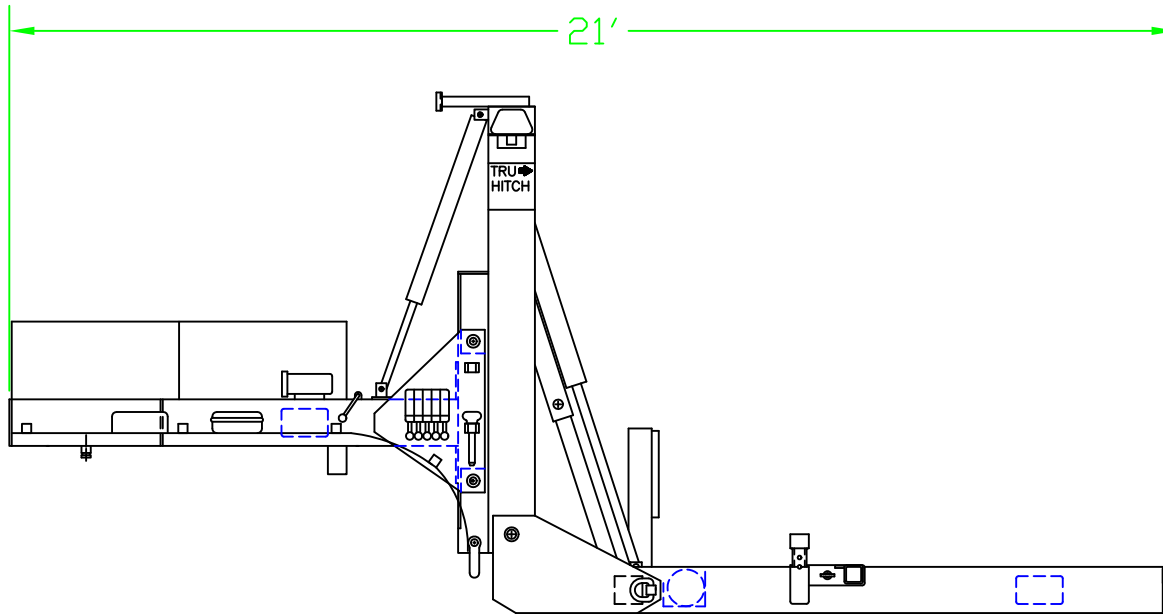
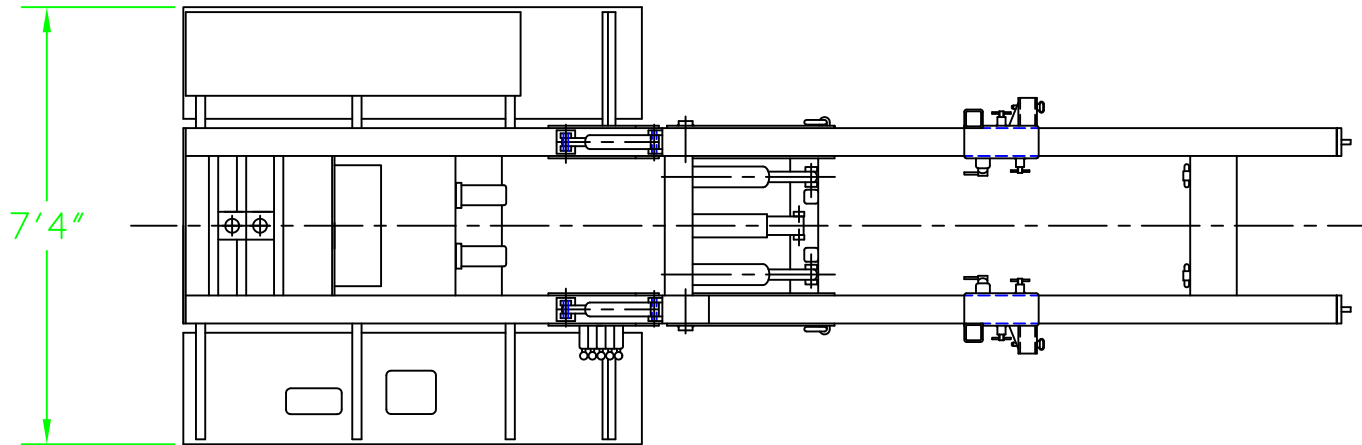
PARTS LIST
AND
ACCESSORIES
COMMERCIAL



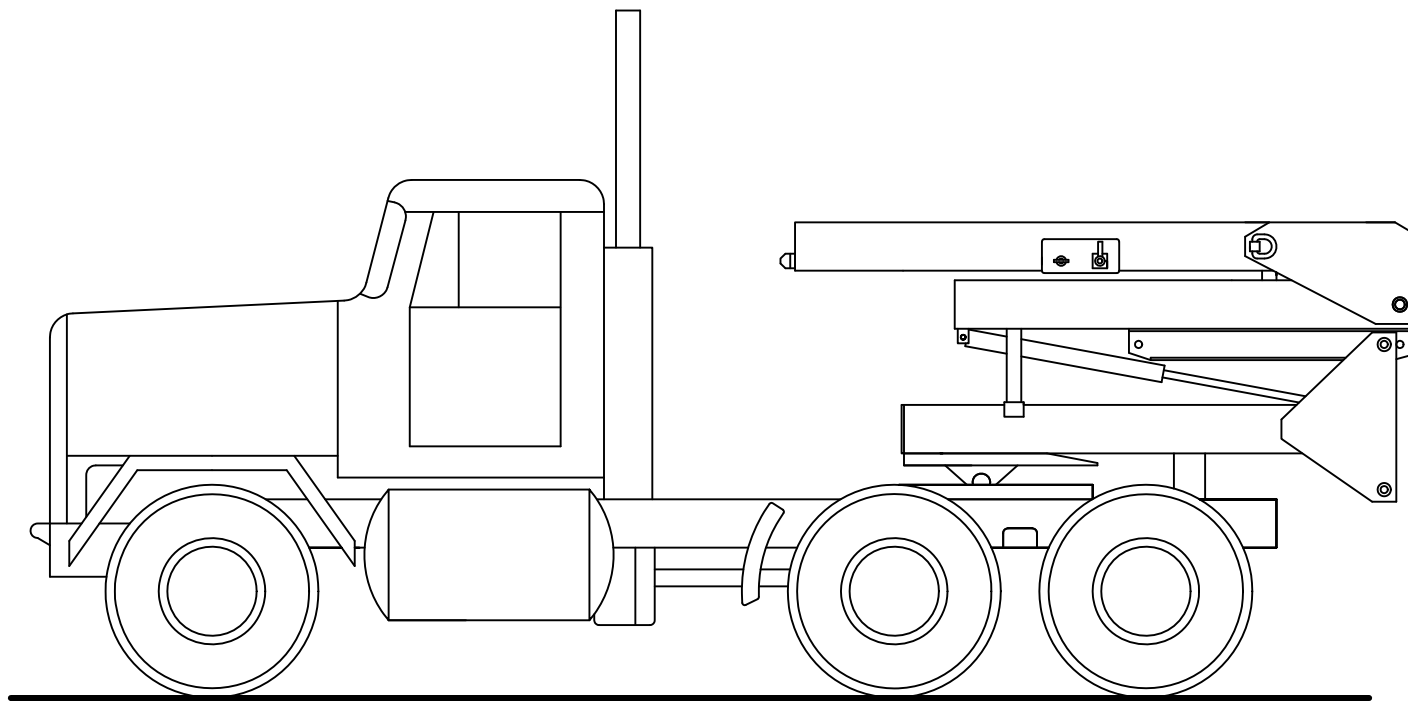
Tru Hitch®

MODEL 250P, PM & PO

GROSS WEIGHT
6800-7200 LBS



TRU-HITCH FWTD STOWED



Tru Hitch

MODEL 250P, PM & PO

ITEM	DESCRIPTION
1	MAIN FRAME ASSEMBLY—FIGURE 2
2	MAIN BOOM ASSEMBLY – FIGURE 3
3	VERTICAL FRAME ASSEMBLY – FIGURE 4
4	SAFETY LOCK ASSEMBLY – FIGURE 5
5	RECEIVER ASSEMBLY – FIGURE 6
6	BOOM EXTENSION ASSEMBLY – FIGURE 7
7	HYDRAULIC COMPONENTS – FIGURE 8
8	ELECTRICAL COMPONENTS – FIGURE 9
9	TOOL BOX & ACCESSORIES – FIGURE 10

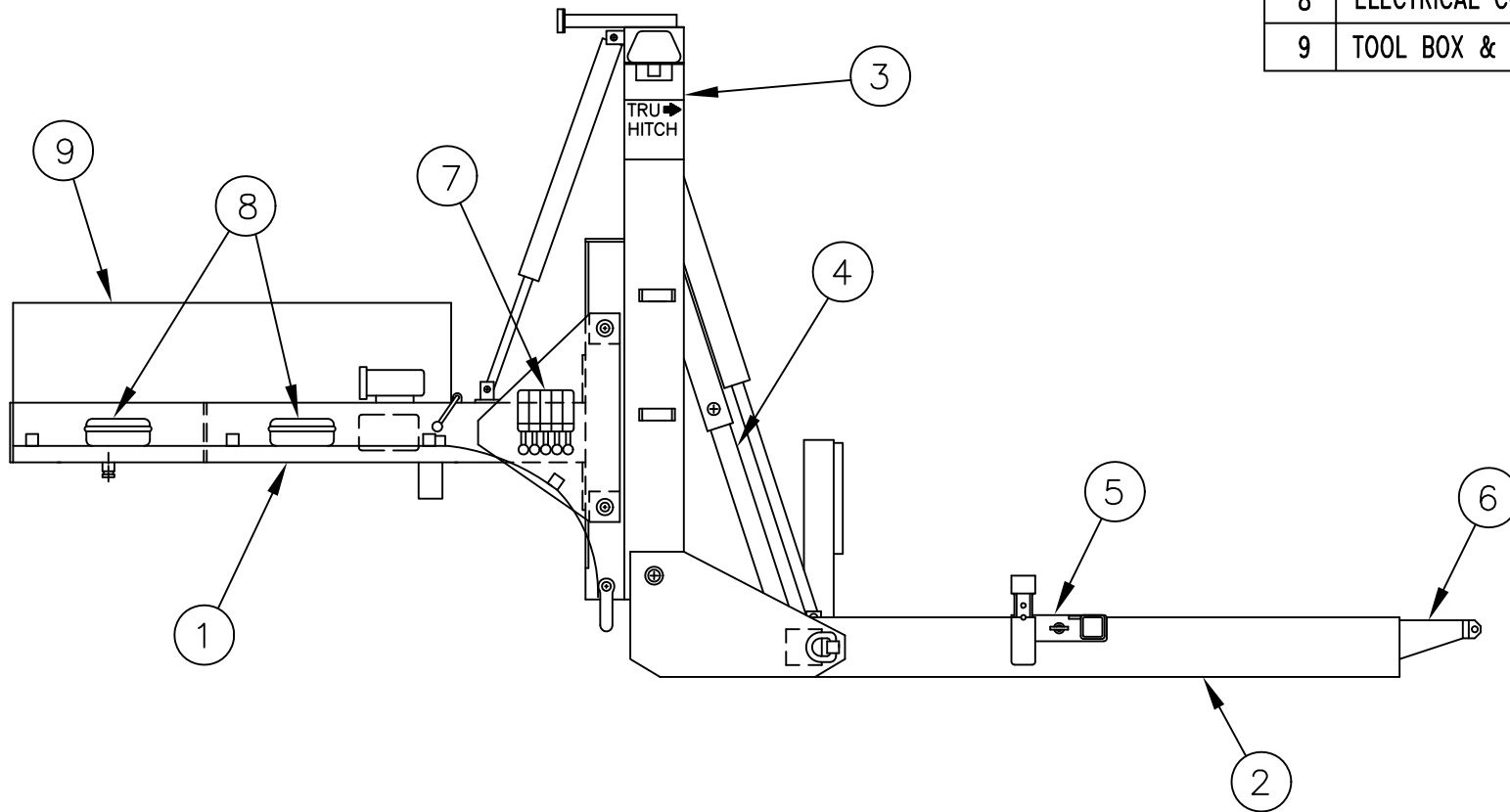


FIGURE 1

MAIN FRAME ASSEMBLY
MODEL 250P, PM & PO

ITEM	QTY.	DESCRIPTION	PART No.
2-1	1	MAIN FRAME	1090-C
2-2	16	SLIDE PAD	02440
2-3	2	3" HYDRAULIC CYL.	02040
2-4	2	PIVOT PIN	1035-1
2-5	1	SWING ARM LINKAGE ASSEMBLY	1044-1
2-6	1	SUPPORT LEG ASSEMBLY - DRIVER	1046-1
2-7	1	SUPPORT LEG ASSEMBLY - PASSENGER	1047-1
2-8	2	FENDER	02130
2-9	8	FENDER BRACKET	1055-1
2-10	2	HITCH PIN - 1 1/4"	02535
2-11	1	BATTERY BOX	1048-1
2-12	2	MUDFLAP	1063-1

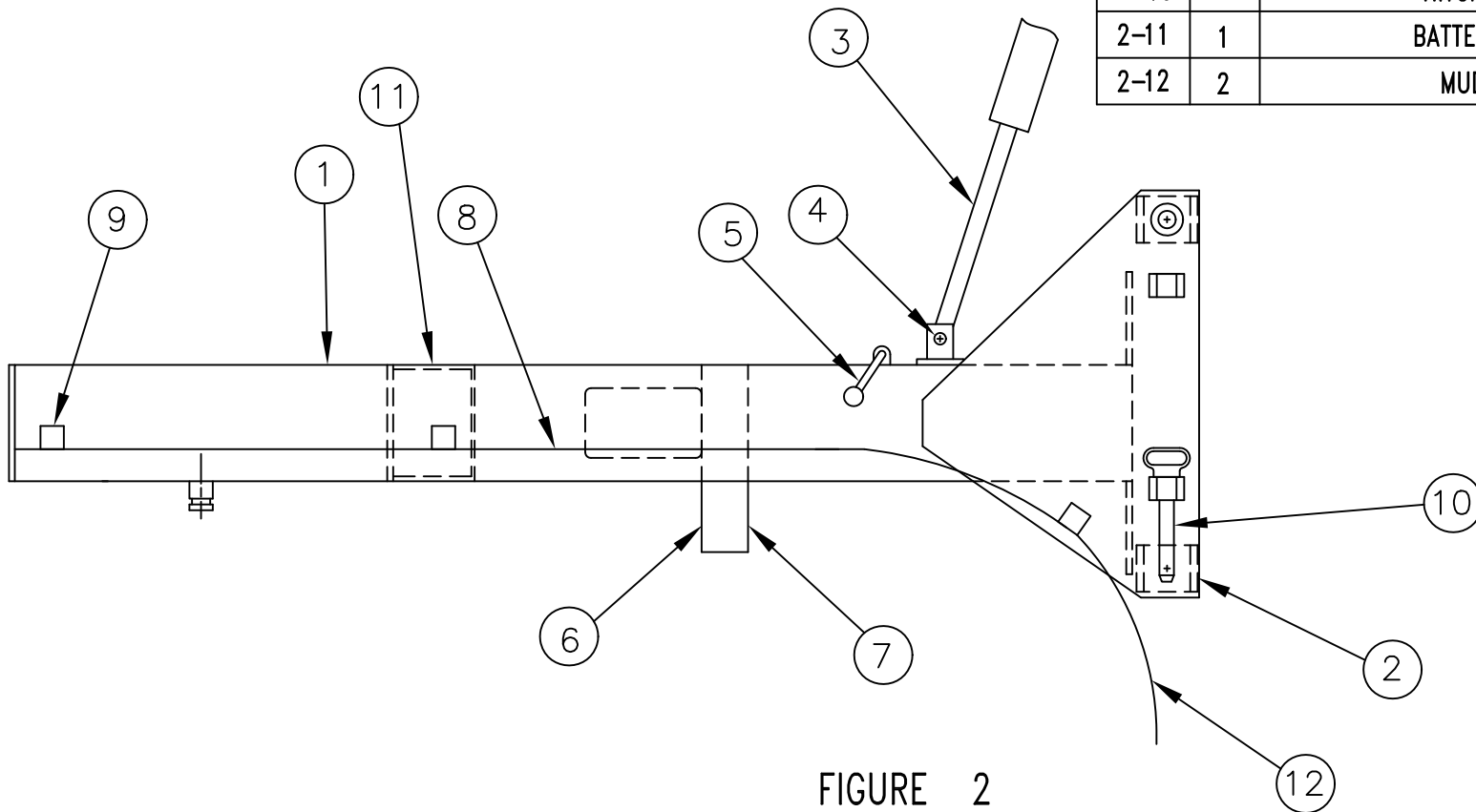


FIGURE 2

MAIN BOOM ASSEMBLY
MODEL 250P, PM & PO

ITEM	QTY.	DESCRIPTION	PART No.
3-1	1	MAIN BOOM	1089-1
3-2	4	MAIN PIVOT PIN	1043-1
3-3	2	BUMPER	1077-1
3-4	2	PIVOT PIN	1034-1
3-5	2	4" HYDRAULIC CYL.	02050
3-6	1	WINCH	02880
3-7	1	WINCH CABLE ASSEMBLY	02665

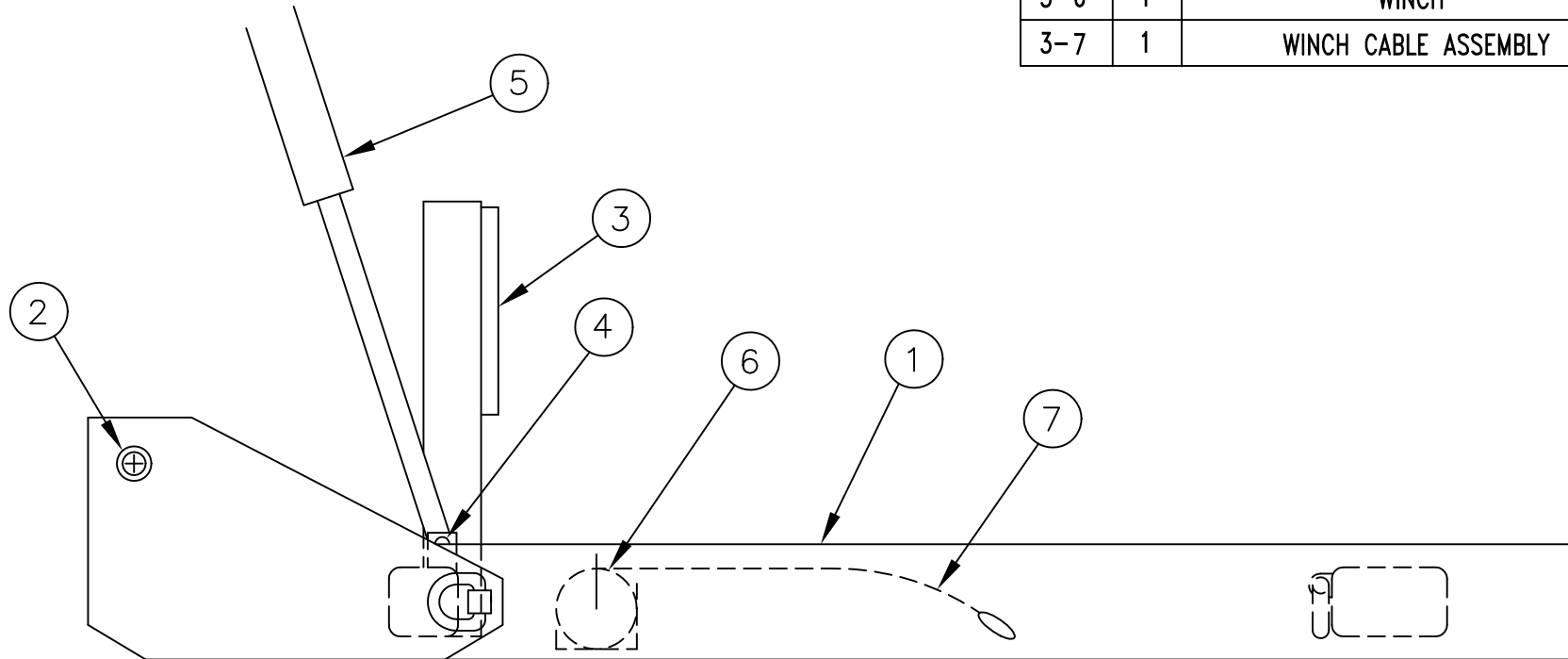
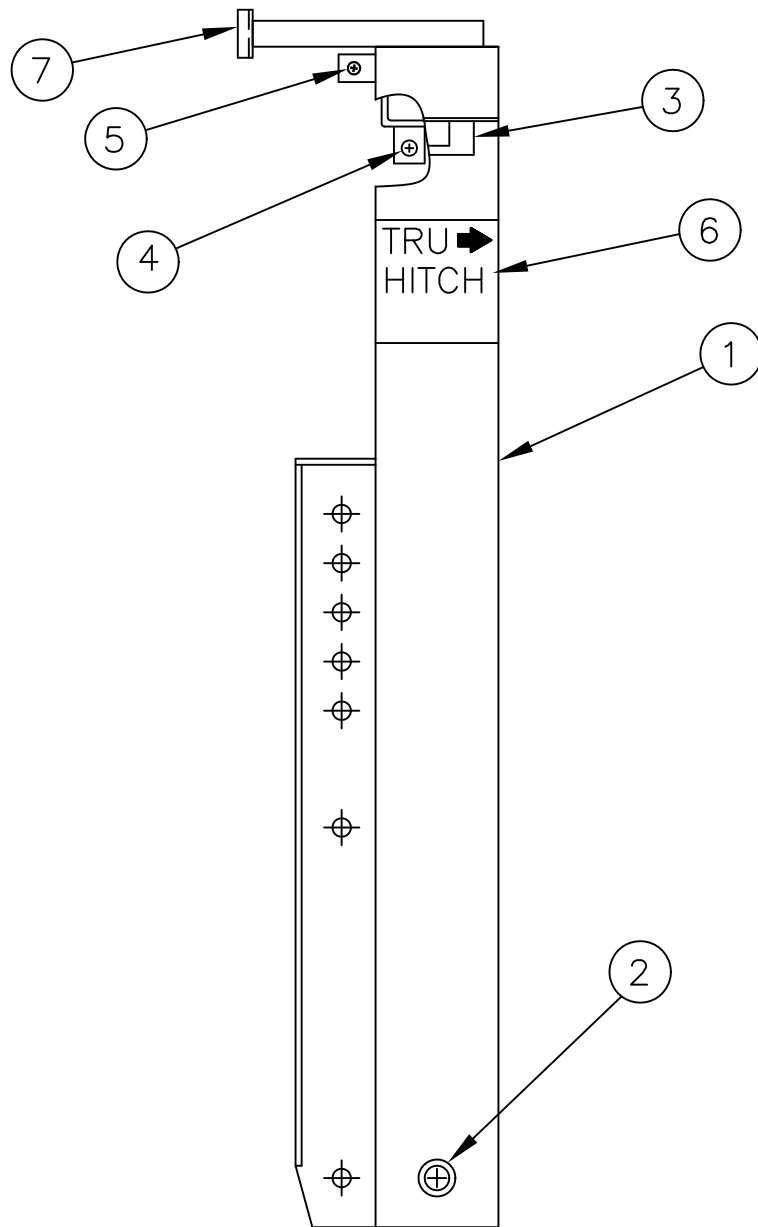


FIGURE 3



ITEM	QTY.	DESCRIPTION	PART No.
4-1	1	MAIN FRAME	1088-1
4-2	4	BUSHING	00875
4-3	2	LIGHT BRACKET	1039-1
4-4	2	4" CYL PIVOT PIN	1033-1
4-5	2	3" CYL PIVOT PIN	1036-1
4-6	1	DECAL KIT	02091
4-7	4	SLIDE PADS	02440

VERTICAL FRAME ASSEMBLY
MODEL 250P, PM & PO

FIGURE 4

SAFETY LOCK ASSEMBLY
MODEL 250P, PM & PO

ITEM	QTY.	DESCRIPTION	PART No.
5-1	1	UPPER CENTER RAM	1050-1
5-2	1	LOWER CENTER RAM	1051-1
5-3	1	HITCH PIN - 1 1/4"	02535
5-4	1	LOWER PIVOT PIN	1037-1
5-5	1	UPPER PIVOT PIN	1038-1

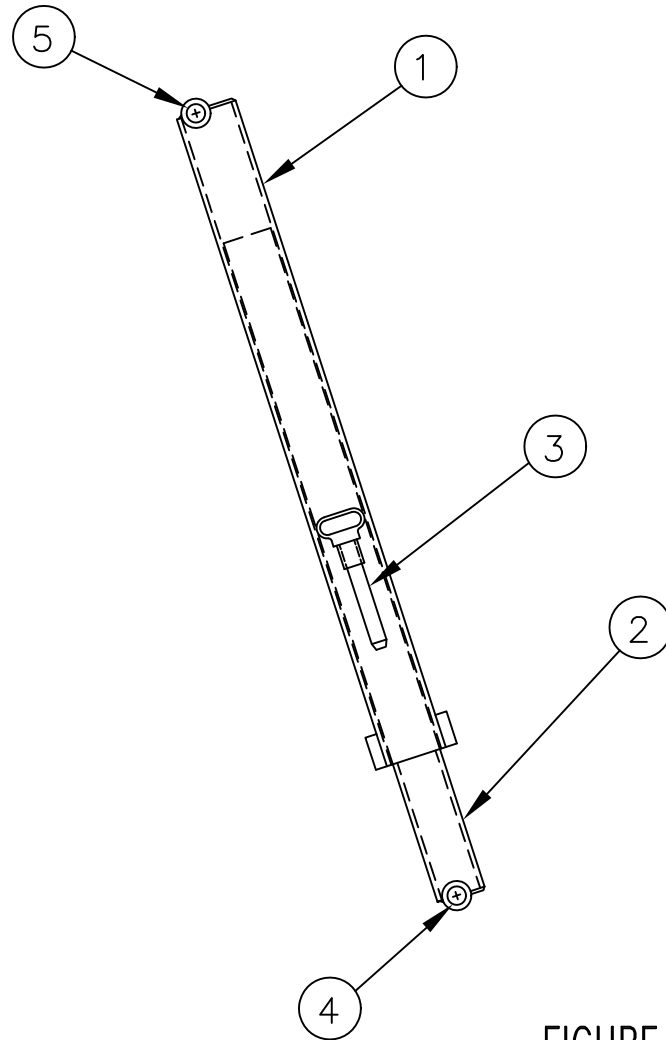


FIGURE 5

RECEIVER ASSEMBLY

MODEL 250P, PM & PO

ITEM	QTY.	DESCRIPTION	PART No.
6-1	1	RECEIVER - DRIVERS	1053-1
6-2	1	RECEIVER - PASSENGERS	1052-1
6-3	2	HITCH PIN 3/4 x 4"	02540
6-4	2	RECEIVER UPRIGHT - ANGLE	
6-5	4	RECEIVER BOLT	1040-1
6-6	2	WHEEL STOP	1041-1
6-7	2	RECEIVER CAM ASSEMBLY	
6-8	2	RECEIVER UPRIGHT - U	

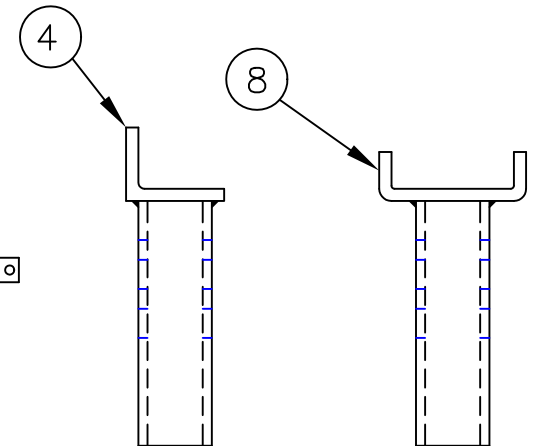
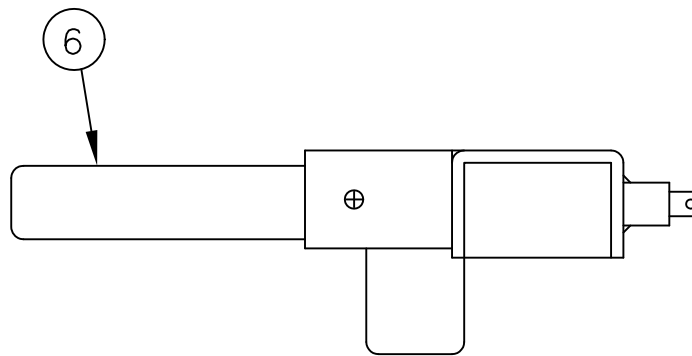
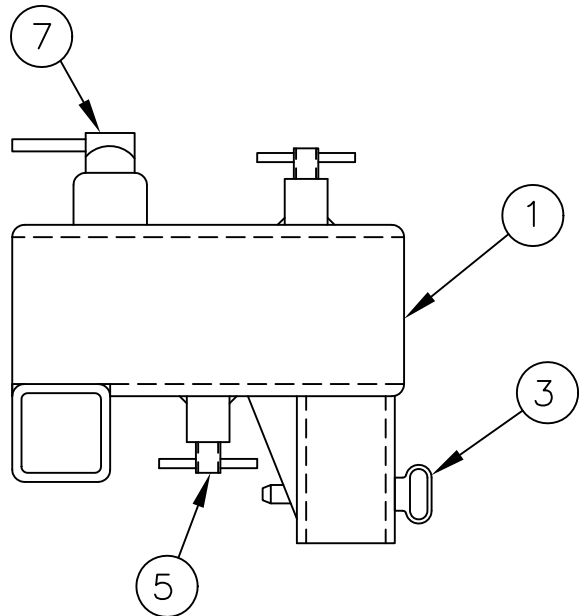
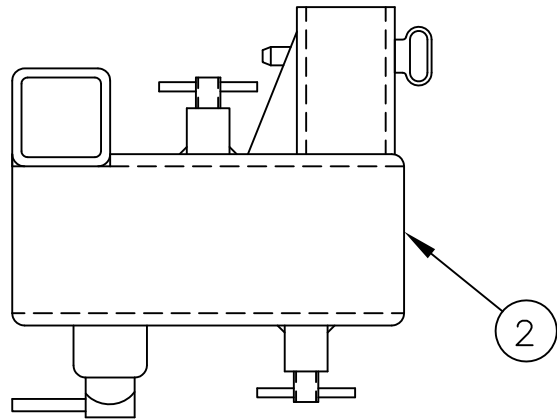


FIGURE 6

BOOM EXTENSION ASSEMBLY

MODEL 250P, PM & PO

ITEM	QTY.	DESCRIPTION	PART No.
7-1	2	BOOM EXTENSION	1137-1
7-2	2	BOOM EXTENSIONS CYLINDER	02065
7-3	2	REAR PIVOT PIN	1010-1
7-4	2	FRONT PIVOT PIN	6007-1
7-5	2	WEAR PAD	1007-1
7-6	4	CYLINDER SUPPORT PAD	6009-1

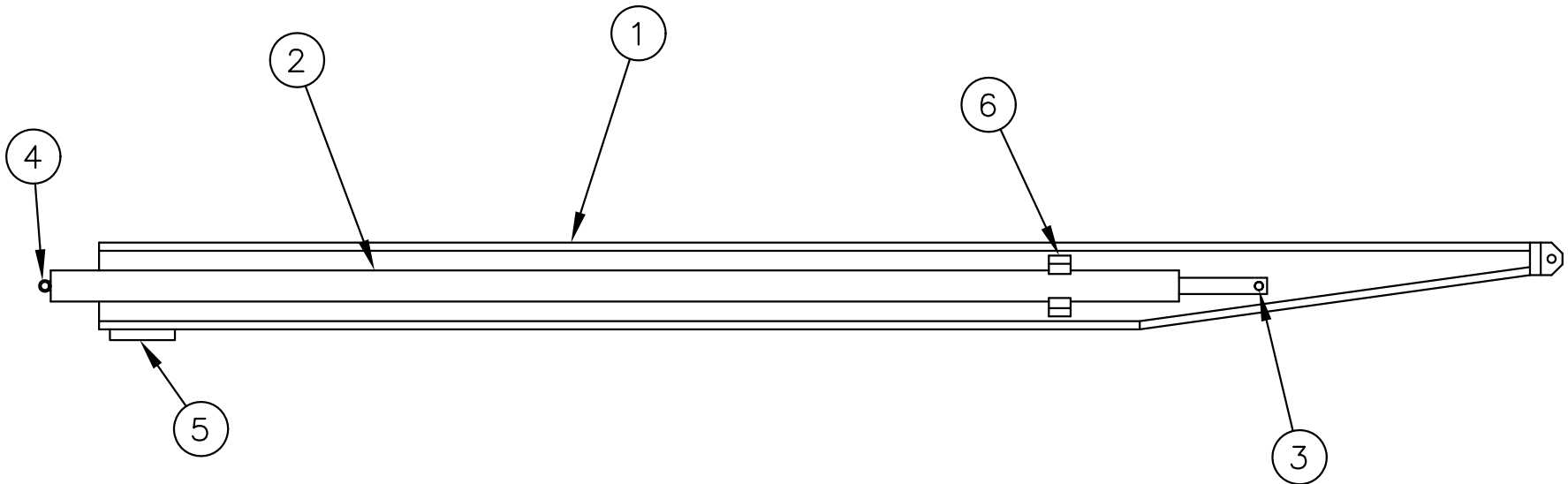


FIGURE 7

HYDRAULIC COMPONENTS

MODEL 250P, PM & PO

ITEM	QTY.	DESCRIPTION	PART No.
8-1	1	MAIN CONTROL VALVE	02505
8-2	2	ELECTRIC/HYDRAULIC PUMP - PRIMARY	1086-1
8-3	2	SOLENOID	1064-1
8-4	2	COUNTER BALANCE VALVE KIT (NOT SHOWN)	
8-5	1	CAM VALVE	1025-1
8-6	1	4" BOOM CYLINDER HOSE KIT (NOT SHOWN)	
8-7	1	3" FRAME CYLINDER HOSE KIT (NOT SHOWN)	
8-8	1	BOOM EXTENSION HOSE KIT (NOT SHOWN)	
8-9	1	WINCH HOSE KIT (NOT SHOWN)	
8-10	1	FEED/RETURN HOSE KIT (NOT SHOWN)	
8-11	1	PRESSURE LINE FILTER	02145
8-12	2	LOCK VALVE	02855

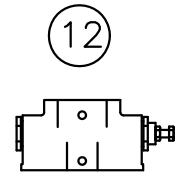
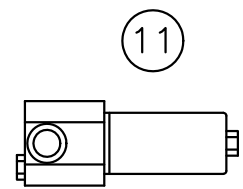
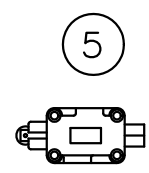
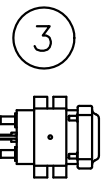
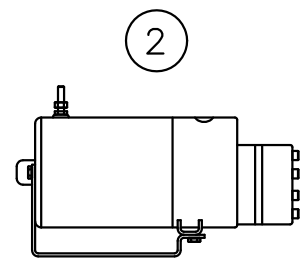
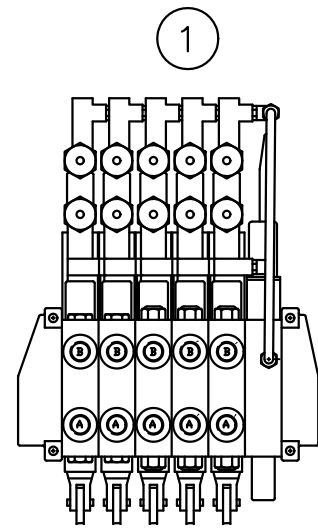


FIGURE 8

ELECTRICAL COMPONENTS
MODEL 250P, PM & PO

ITEM	QTY.	DESCRIPTION	PART No.
9-1	1	MAIN ELECTRICAL BOX KIT	
9-2	1	RADIO CONTROL - TRANSMITTER	02490
9-3	1	RADIO CONTROL - RECEIVER	02485
9-4	2	BATTERY - 12V	00765
9-5	2	STROBE LIGHT	02341
9-6	1	12V LIGHT BAR	02325
9-7	1	LIGHT CORD - 60' (NOT SHOWN)	00910

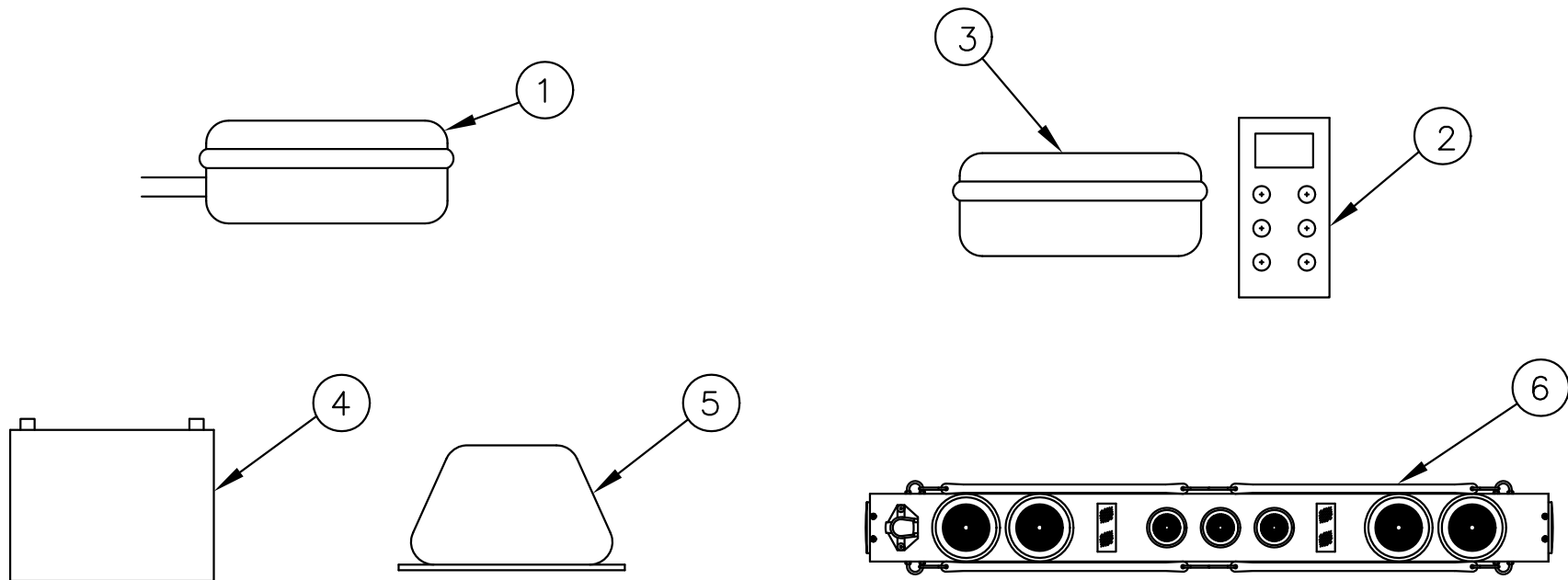
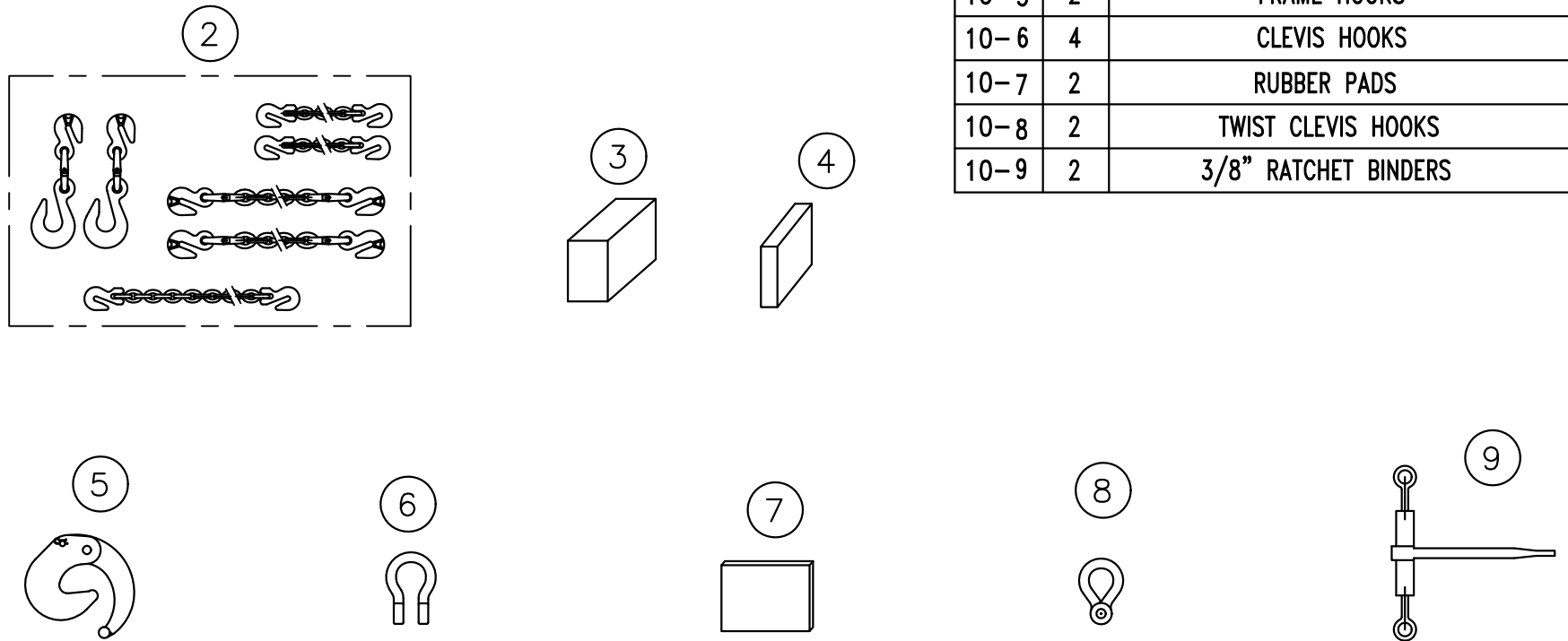


FIGURE 9

TOOL BOX & ACCESSORIES MODEL 250P, PM & PO



ITEM	QTY.	DESCRIPTION	PART No.
10-1	1	TOOL BOX (NOT SHOWN)	
10-2	1	CHAIN KIT INCLUDING: (2) SLING HOOK ASS'Y, (2) 1/2" CHAIN ASS'Y, (2) 3/8" CHAIN ASS'Y, 3/8" SAFETY CHAIN ASS'Y	
10-3	4	PLASTIC BLOCK - LARGE	00785
10-4	4	PLASTIC BLOCK - SMALL	00790
10-5	2	FRAME HOOKS	9005-1
10-6	4	CLEVIS HOOKS	1136-1
10-7	2	RUBBER PADS	00775
10-8	2	TWIST CLEVIS HOOKS	1079-1
10-9	2	3/8" RATCHET BINDERS	

FIGURE 10